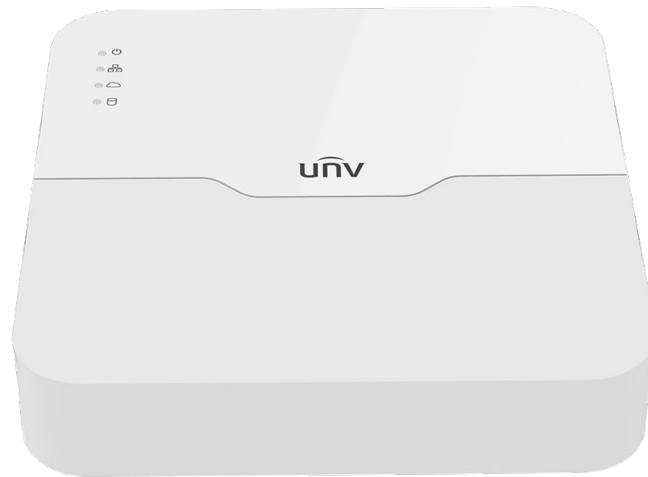


Network Video Recorder

NVR301-LS3-P Series



Features

- Support Ultra 265/H.265/H.264 video formats
- 4/8/16-channel input
- Plug & Play with 4/8 independent PoE network interfaces
- Support mainstream cameras of ONVIF conformance(Profile S, Profile G, Profile T) and RTSP protocols
- Support 1-ch HDMI, 1-ch VGA, HDMI at up to 4K(3840x2160) resolution
- HDMI and VGA simultaneous output
- Up to 4K resolution recording
- Support cloud upgrade

Specifications

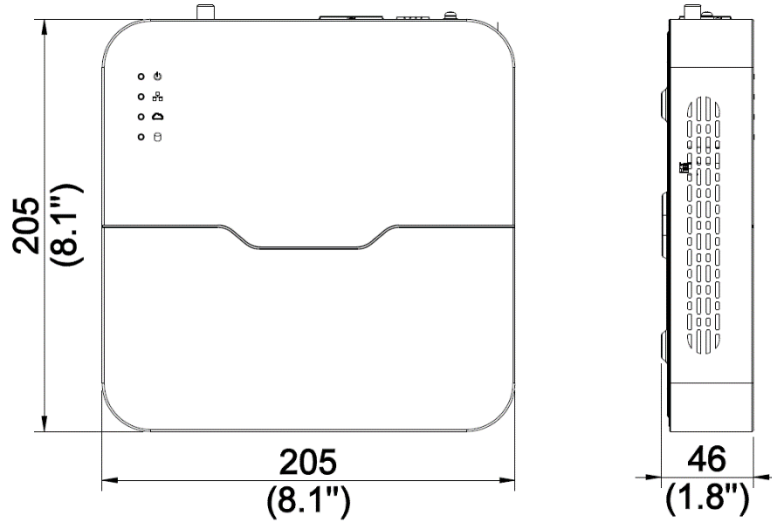
Decoding	Description
----------	-------------

Decoding Format	Ultra 265, H.265, H.264
Decoding Capability	NVR301-04LS3-P4:1 x 4K@30, 4 x 5MP@25, 4 x 4MP@25, 4 x 3MP@25 NVR301-16LS3-P8:1 x 4K@30, 4 x 5MP@25, 4 x 4MP@25, 4 x 3MP@25, 6 x 1080P@30, 8 x 720P@30, 16 x D1@25 NVR301-08LS3-P8:1 x 4K@30, 4 x 5MP@25, 4 x 4MP@25, 4 x 3MP@25, 6 x 1080P@30, 8 x 720P@30
Audio Compression	G.711A, G.711U
Network	Description
Incoming Bandwidth	64Mbps
Outgoing Bandwidth	48Mbps
Remote Users	128
Protocols	TCP/IP;P2P;UPnP;NTP;DHCP;PPPoE;HTTP;HTTPS;DNS;DDNS;SMTP;RTSP
Browser(Plugin)	Windows:IE(IE10/11), Firefox (version 52.0 and above), Chrome(version 45 and above), Edge(version 79 and above)
Video/Audio Input	Description
IP Video Input	NVR301-04LS3-P4:4-ch NVR301-16LS3-P8:16-ch NVR301-08LS3-P8:8-ch
Video/Audio Output	Description
HDMI Output	HDMI:4K(3840x2160)/30Hz, 1920x1080/60Hz, 1920x1080/50Hz, 1600x1200/60Hz, 1280x1024/60Hz, 1280x720/60Hz, 1024x768/60Hz
VGA Output	VGA:1920x1080/60Hz, 1920x1080/50Hz, 1600x1200/60Hz, 1280x1024/60Hz, 1280x720/60Hz, 1024x768/60Hz
RCA Audio Output	1-ch
Liveview Display	NVR301-04LS3-P4:1/4 NVR301-16LS3-P8:1/4/6/8/9/16 NVR301-08LS3-P8:1/4/6/8/9
Corridor Mode Screen	NVR301-04LS3-P4:3/4 NVR301-16LS3-P8:3/4/5/7/9/10/12/16 NVR301-08LS3-P8:3/4/5/7/9
Snapshot	Description
FTP/Schedule/Event Snapshot	1-ch snapshot, up to D1 resolution
Recording	Description
Recording Resolution	8MP/6MP/5MP/4MP/3MP/1080P/960P/720P/D1/2CIF/CIF
Synchronous Playback in Local	NVR301-04LS3-P4:4-ch NVR301-16LS3-P8:16-ch NVR301-08LS3-P8:8-ch
Smart	Description
VCA Detection by IPC	Face Detection;SIP(Intrusion Detection, Cross Line Detection, Enter Area, Leave Area);Ultra Motion Detection(UMD)
VCA Search	Behavior Search
Smart by IPC	Total 4-ch(Face Detection, SIP, UMD)
Alarm	Description

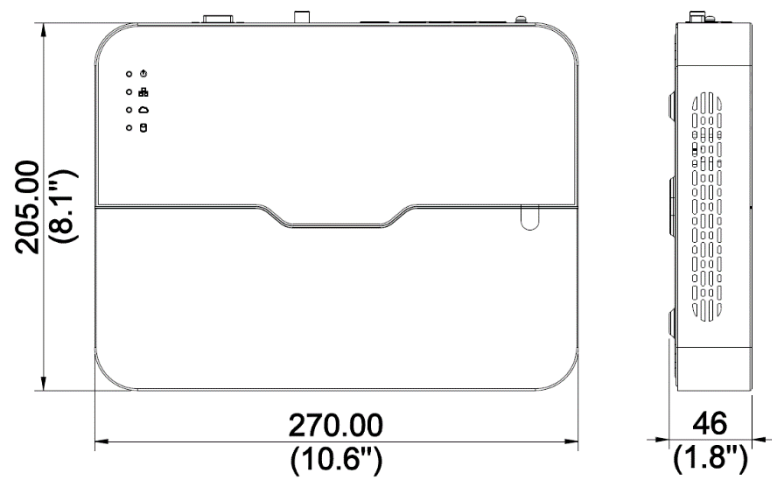
General Alarm	Auto Tracking;Motion Detection;Tampering;Human Body Detection;Video Loss;Alarm Input;Audio Detection
Alert Alarm	IP Conflict;Network Disconnected;Disk Offline;Disk Abnormal;Illegal Access;Hard Disk Space Low;Hard Disk Full;Recording/Snapshot Abnormal
GUI Language	Description
GUI Language	21 languages: Chinese, English, Vietnamese, Thai, Turkish, Spanish (Latin America), Portuguese (Brazil), Spanish, Portuguese, French, German, Italian, Dutch, Polish, Czech, Hungarian, Slovak, Russian, Hebrew, Arabic, Ukrainian
Hard Disk	Description
SATA	1 SATA Interface
Capacity	Up to 10TB for each HDD(The maximum HDD capacity varies with environment temperature and hard disk size)
External Interface	Description
Network Interface	1 RJ45 10M/100M self-adaptive Ethernet Interface
USB	Rear panel: 2 x USB2.0
RS485	N/A
RS232	N/A
Alarm In	N/A
Alarm Out	N/A
Power Supply	NVR301-04LS3-P4:DC 48V/1.35A NVR301-16LS3-P8/NVR301-08LS3-P8:DC 52V/1.8A
PoE	Description
Interface	NVR301-04LS3-P4:4 RJ45 10M/100M self-adaptive Ethernet Interface NVR301-16LS3-P8/NVR301-08LS3-P8:8 RJ45 10M/100M self-adaptive Ethernet Interface
Max Power	NVR301-04LS3-P4:Max 30W for single port, Max 54W in total NVR301-16LS3-P8/NVR301-08LS3-P8:Max 30W for single port, Max 75W in total
Supported Standard	IEEE 802.3at, IEEE 802.3af
Working Environment	Description
Working Temperature	-10 ° C ~ 55 ° C (14 ° F ~ 131 ° F)
Working Humidity	≤ 90% RH (non-condensing)
Power Consumption (without HD D)	≤ 9W
Dimensions	Description
Weight (without HDD)	NVR301-04LS3-P4:≤ 0.6Kg (1.32lb) NVR301-16LS3-P8/NVR301-08LS3-P8:≤ 0.8Kg (1.76lb)
Dimensions	NVR301-04LS3-P4:205mm × 205mm × 46mm (8.1"×8.1"×1.8") NVR301-16LS3-P8/NVR301-08LS3-P8:270mm × 205mm × 46mm (10.6"×8.1"×1.8")
Certification	Description
Certification	CE;FCC;UL;RoHS;WEEE
CE	EN 55032, EN 61000-3-3, EN IEC 61000-3-2, EN 55035
FCC	Part15 Subpart B

Dimensions

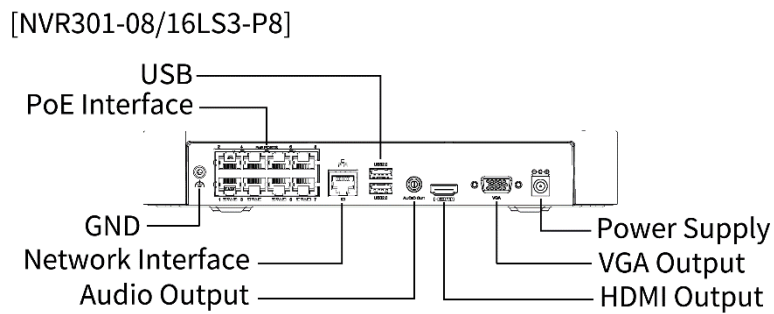
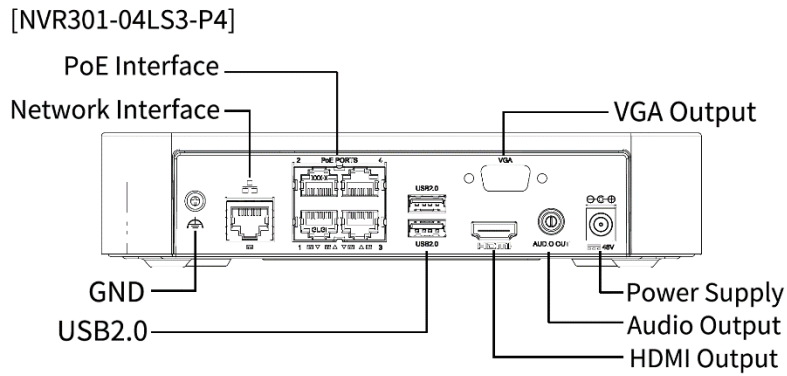
[NVR301-04LS3-P4]



[NVR301-08/16LS3-P8]



Rear Panel



Zhejiang Uniview Technologies Co., Ltd.

No. 369, Xietong Road, Xixing Sub-district, Binjiang District, Hangzhou City, 310051, Zhejiang Province, China

Email: overseasbusiness@uniview.com; globalsupport@uniview.com

<http://www.uniview.com>

©2023-2024 Zhejiang Uniview Technologies Co., Ltd. All rights reserved.

*Product specifications and availability are subject to change without notice.

*Despite our best efforts, technical or typographical errors may exist in this document. Uniview cannot be held responsible for any such errors and reserves the right to change the contents of this document without prior notice.