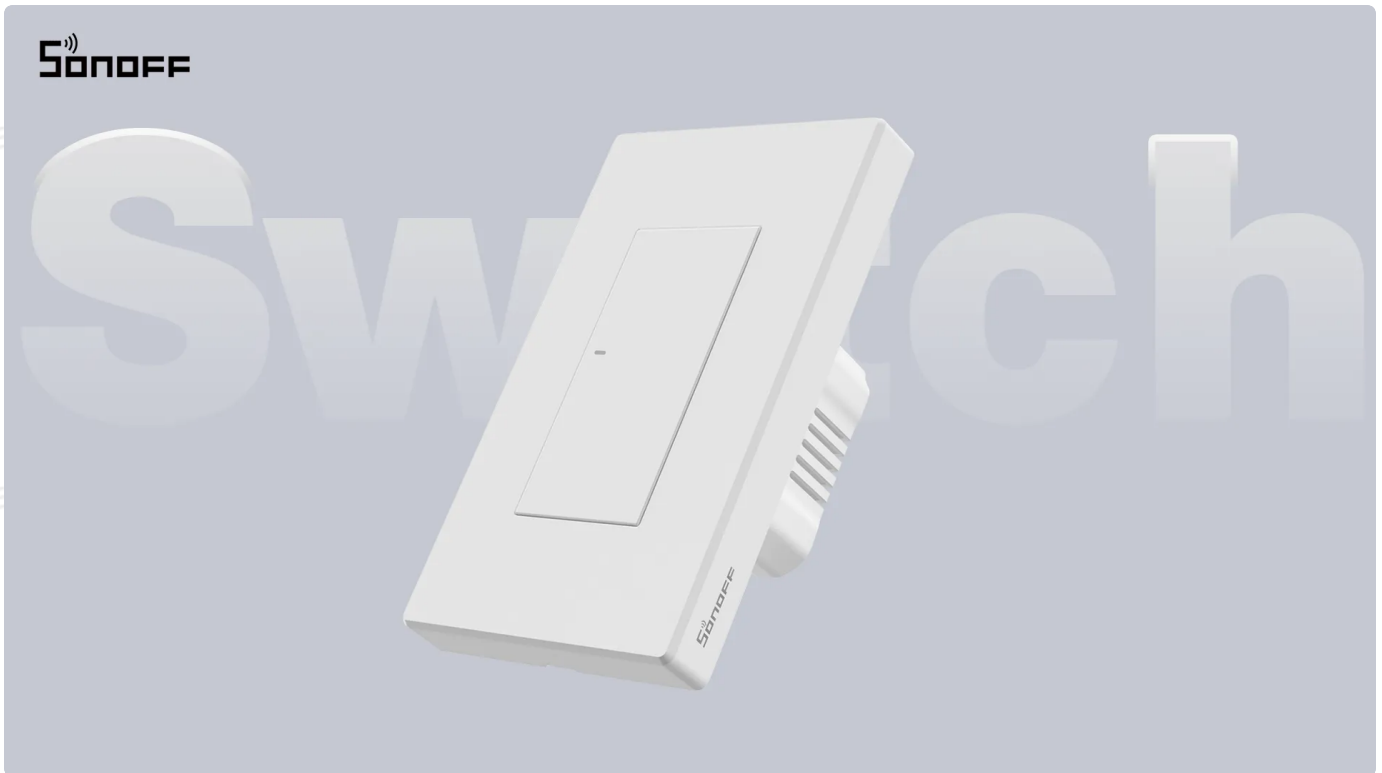


User Manual M5-1C/2C/3C-120W(EN)



SwitchMan Smart Wall Switch

User Manual V1.0

Introduction

This device is a smart physical wall switch. After pairing it with eWeLink App, you can turn on/off the connected devices via the smart phone wherever you are, schedule its on/off, share it with your families to control together, etc.



Remote Control

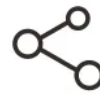


Single/Countdown

Timing



Voice Control



Share Control



Smart Scene



Inching Mode



Camera Linking



Group Control



History Operation



LAN Control

Record

① Button

- Press once: Turn on/off the Device.
- Press and hold for 5 seconds : Device enters the pairing mode.

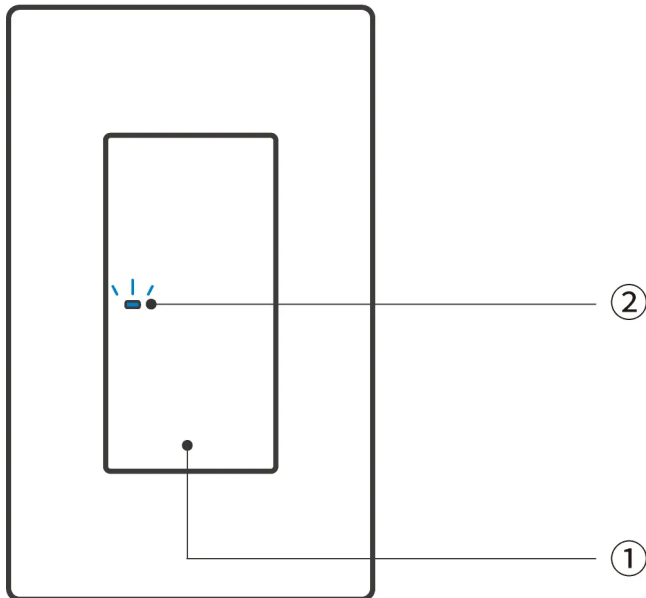
② Wi-Fi LED indicator (Blue)

eWeLink Mode

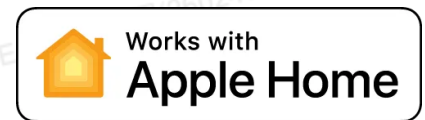
- Keeps on: Device is online.
- Flashes twice: LAN
- Flashes once: Offline
- Flashes two short and one long: Device is in pairing mode.

Matter Mode

- Keeps on: Device is online.
- Flashes once: Offline
- Flashes two short and one long: Device is in pairing mode.
- Flashes three times: Identify



Matter-compatible ecosystem

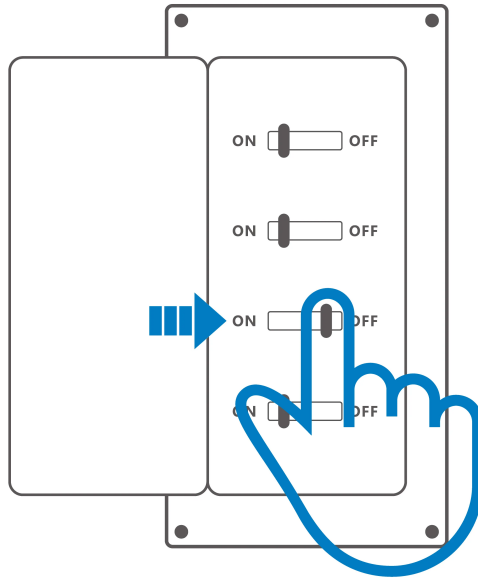


Specification

Model	M5-1C-120W, M5-2C-120W, M5-3C-120W
MCU	ESP32
Rating	1C: 100-240V ~ 50/60Hz 10A Max 2C: 100-240V ~ 50/60Hz 5A/Gang 10A Total Max 3C: 100-240V ~ 50/60Hz 2A/Gang 6A Total Max
Max. load	1C: 2200W 2C: 2200W(1-1100W/Gang) 3C: 1320W(1-440W/Gang)
LED load	1C: 300W/220V, 150W/110V 2C: 300W/220V/Gang, 150W/110V/Gang 3C: 100W/220V/Gang, 60W/110V/Gang
Wireless Connectivity	IEEE 802.11 b/g/n 2.4GHz
Net Weight	1C(177.5g) 、 2C(184g) 、 3C(186g)
Dimension	120x74x41.5mm
Color	White
Casing Material	PC V0+CRS
Applicable Place	Indoor
Working Temperature	-10°C~40°C
Working Humidity	5%~95% RH, non-condensing
Certified Compliance	CE/FCC/ISED/RoHS
Executive standard	EN 60669-2-1

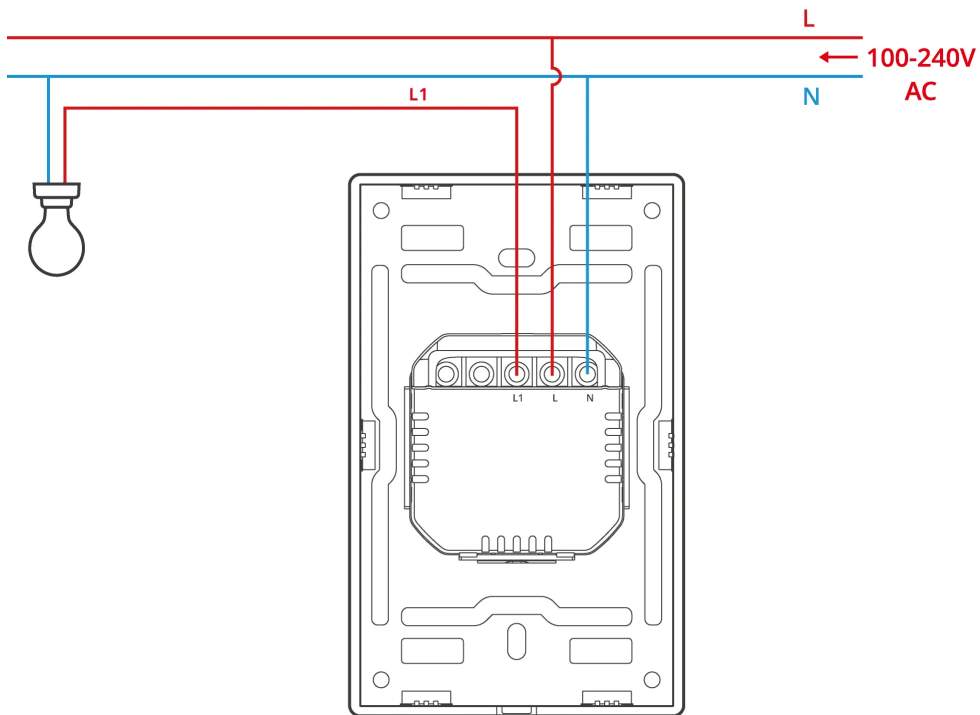
Installation

1. Power off

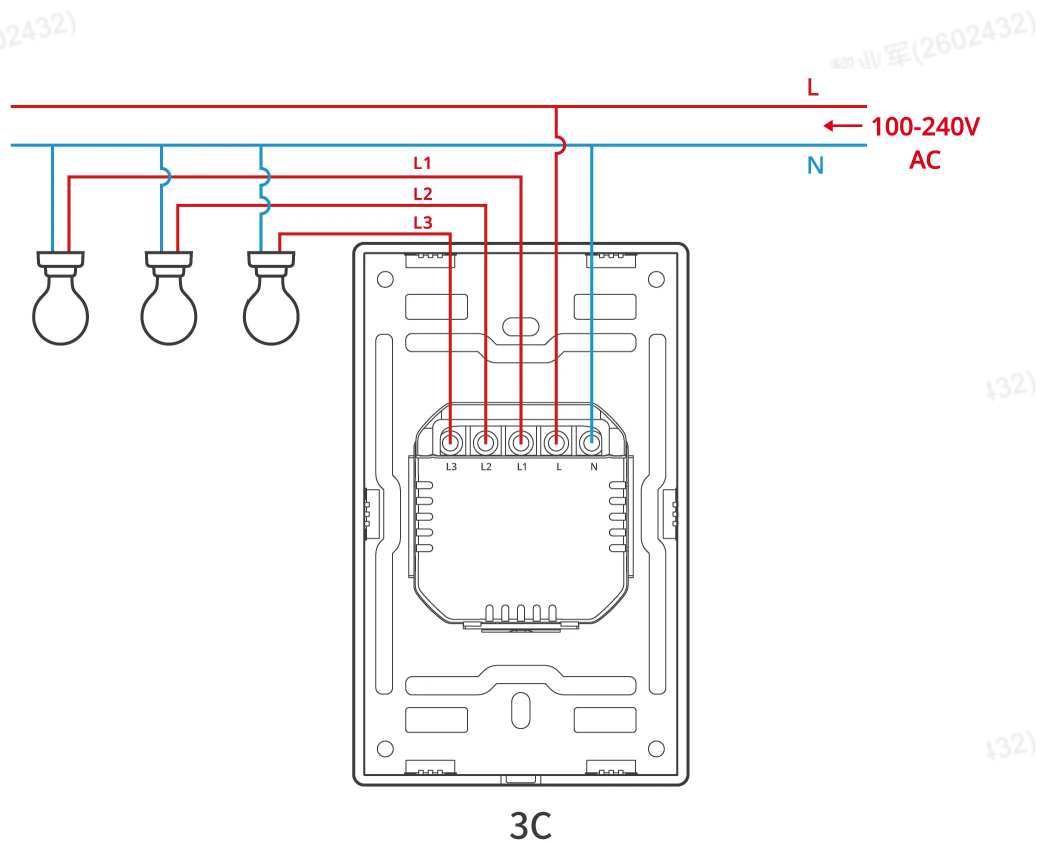
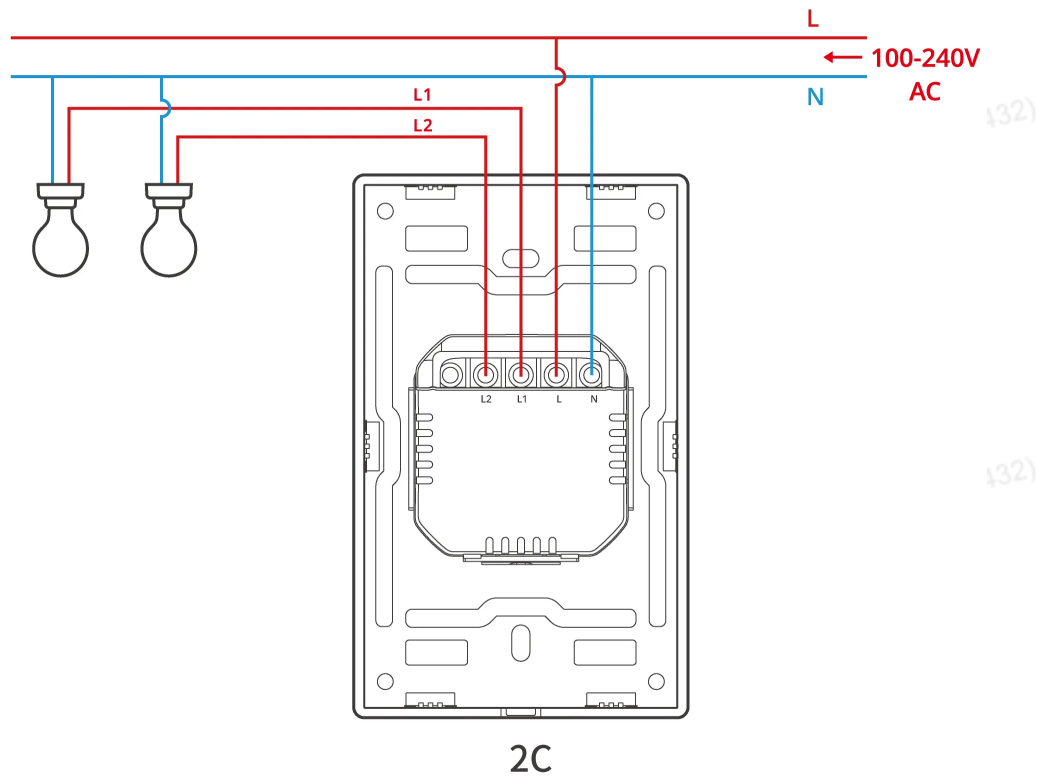


*Please install and maintain the device by a professional electrician. To avoid electric shock hazard, do not operate any connection or contact the terminal connector while the device is powered on!

2. Wiring instruction



1C

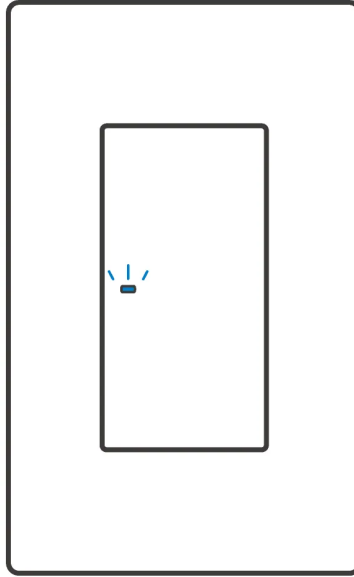


*To ensure the safety of your electrical installation, it's essential either a Miniature Circuit Breaker (MCB) or a Residual Current Operated Circuit Breaker (RCBO) with an electrical rating of 10A (1C,2C),6A (3C)has been installed before the M5-120W.

*Make sure all wires are connected correctly.

3. Power on

After powering on, the device will enter the Pairing Mode defaulted during the first use, and the LED indicator flashes in a cycle of two short and one long.



*The device will exit the Pairing Mode if it is not paired within 10mins. If you want to enter this mode again, please long press the button for 5s until the LED indicator flashes in a cycle of two short and one long and then release.

Add device

Method 1: Matter Pairing

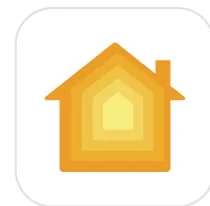
Open a Matter-compatible App (e.g. Alexa App, Google Home App, or Apple Home App, etc) to scan the Matter QR code on the Quick Guide or the device itself to add the device.



Add to Alexa via Matter



Add to Google via Matter



Add to Apple via Matter

Method 2: eWeLink App Pairing

1. Download the "eWeLink" App

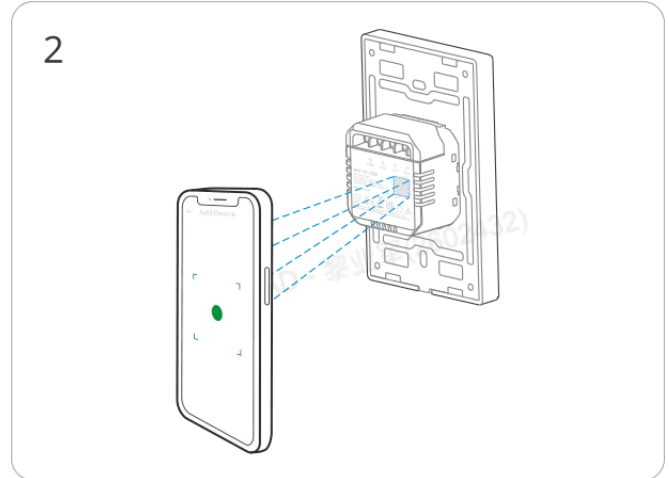
Please download the "eWeLink" App from Google Play Store or Apple App Store.



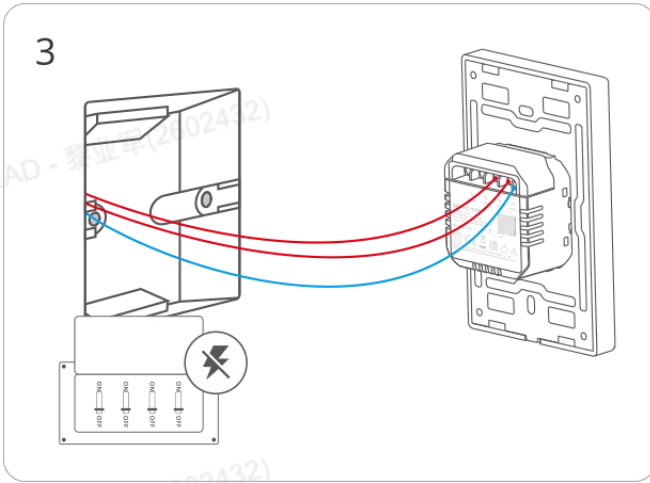
2. Add device



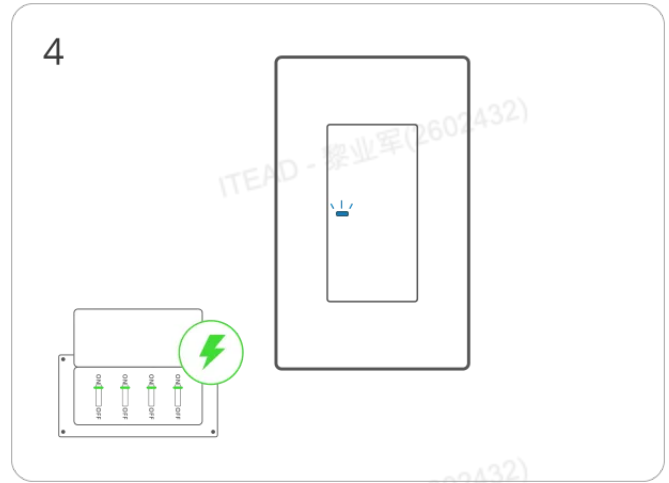
Enter "Scan"



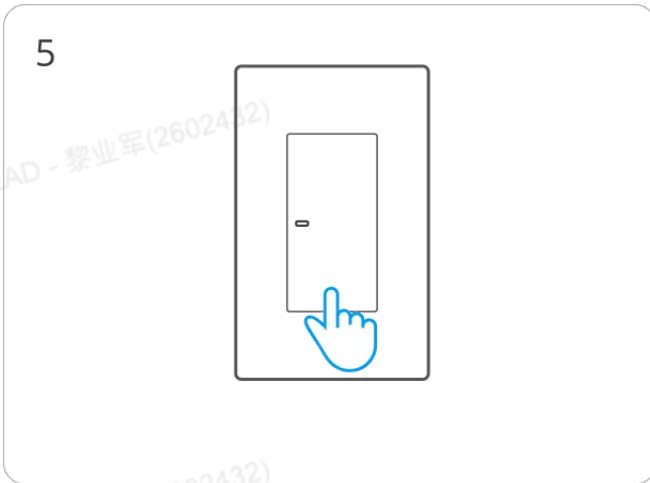
Scan the QR code on the device



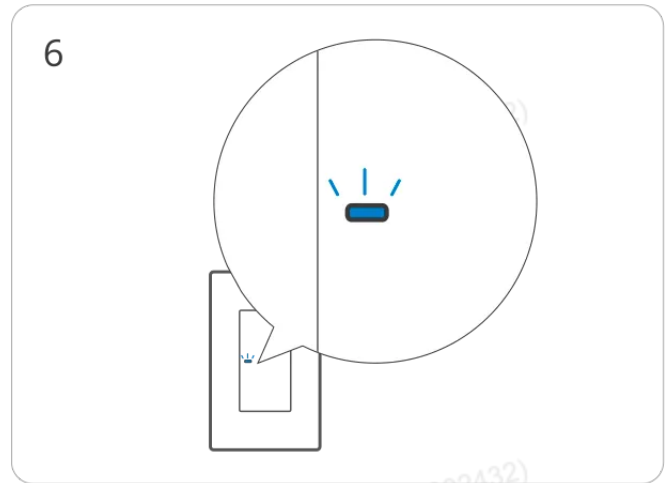
Please follow the wiring instructions to connect the wires (ensure power is disconnected in advance and consult an electrician if needed)



Power on the device



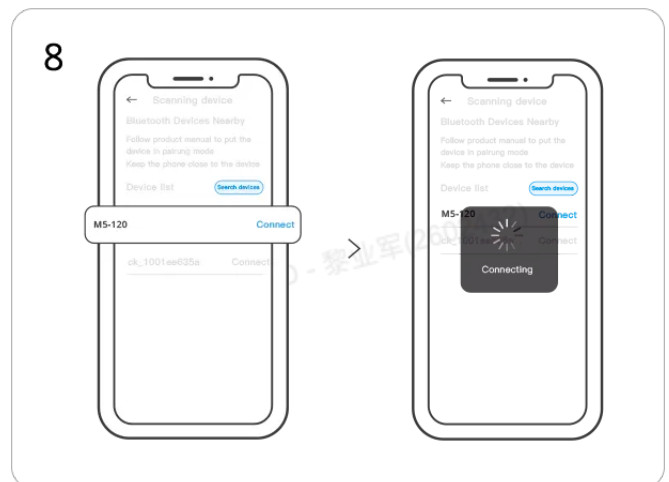
Long press the button for 5 seconds



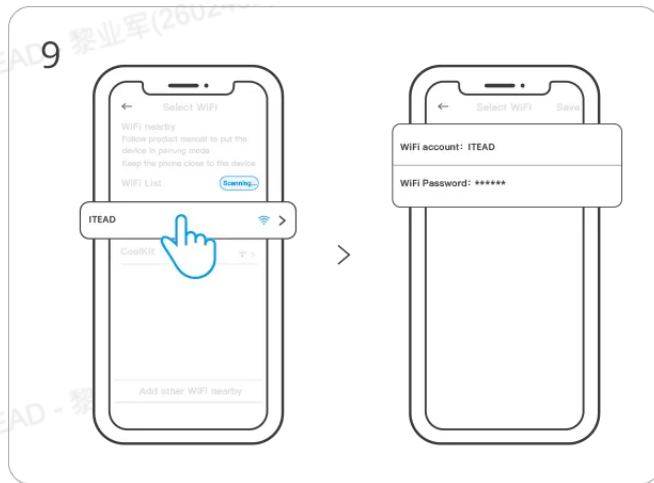
Check Wi-Fi LED indicator flashing status
(Two short and one long)



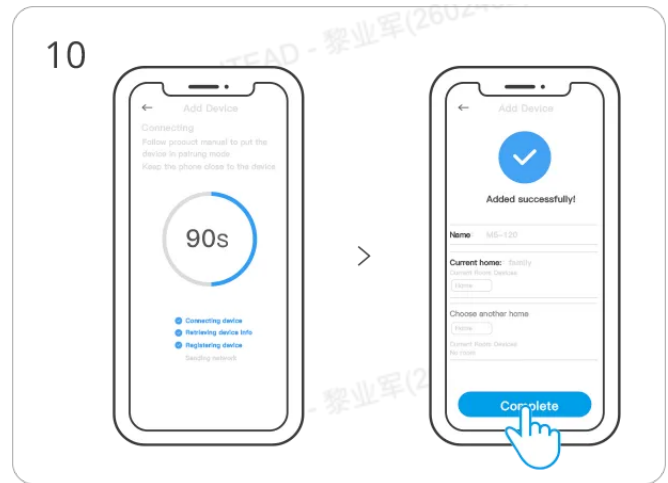
Select "Add Device"



Search for the device and start connecting



Select the "Wi-Fi" network and enter the password.



Device "Added completely".

Device Network Changing

Change the device's network by "Wi-Fi Settings" in the "Device Settings" page on the eWeLink App.

Device Factory Reset (Dual Ecosystem)

- After "Delete the Device" in the eWeLink App
- For devices previously successfully added to eWeLink, perform a new pairing using a different eWeLink account
- For devices previously successfully added in Matter, perform a new Bluetooth Pairing through Matter

FAQ

Fail to pair Wi-Fi devices with eWeLink APP

1. Make sure the device is in pairing mode.

The device will automatically exit the pairing mode if not paired within 10mins.

2. Please turn on the location service on your mobile phone and give the permission.

Before choosing the Wi-Fi network, the location service should be turned on and the permission is given. Location information permission is used to obtain Wi-Fi list information. If you tap "Disable", the device will not be added.

3. Make sure your Wi-Fi network runs on the 2.4GHz band.
4. Make sure you entered a correct Wi-Fi SSID and password, no special characters contained. A wrong password is a very common reason for pairing failure.
5. You may get the device close to the router for a good signal transmission while pairing.
6. Please try to pair the device in the compatible mode.

Wi-Fi devices "Offline" issues

Please check the following issues by the Wi-Fi LED indicator status:

The LED indicator blinks once every 2s means you fail to connect to the router.

1. Maybe you entered a wrong Wi-Fi SSID and password.
2. Make sure your Wi-Fi SSID and password don't contain special characters, for example, the Hebrew, Arabic characters. Our system can't recognize these characters so that fail to connect to the Wi-Fi.
3. Maybe your router has a lower carrying capacity.
4. Maybe the Wi-Fi signal strength is weak. Your router is too far away from your device, or there may be some obstacles between the router and the device so that the signal transmission is blocked.
5. Be sure that the MAC of the device is not on the blacklist of your MAC management.

The LED indicator flashes twice on repeated means you fail to connect to the server.

1. Make sure the Internet connection is normal. You can use your phone or PC to connect to the Internet, and if you fail to access, please check the availability of the Internet connection.
2. Maybe your router has a low carrying capacity. The number of devices connected to the router exceeds its maximum value. Please check the maximum number of devices that your router can carry. If the number of connected devices exceeds the maximum value, please delete some devices or change a larger router and try again.
3. Please contact your ISP and confirm our server address is not shielded:

cn-disp.coolkit.cc (China Mainland)

as-disp.coolkit.cc (in Asia except China)

eu-disp.coolkit.cc (in EU)

us-disp.coolkit.cc (in US)

If none of the above methods solved this problem, please submit your issue via help&feedback on the eWeLink App.

FCC compliance statement

1.This device complies with part 15 of the FCC Rules. Operation is subject to the following two conditions:

- (1) This device may not cause harmful interference, and
- (2) This device must accept any interference received, including interference that may cause undesired operation.

2.Changes or modifications not expressly approved by the party responsible for compliance could void the user's authority to operate the equipment.

Note: This equipment has been tested and found to comply with the limits for a Class B digital device, pursuant to part 15 of the FCC Rules. These limits are designed to provide reasonable protection against harmful interference in a residential installation. This equipment generates, uses and can radiate radio frequency energy and, if not installed and used in accordance with the instructions, may cause harmful interference to radio communications. However, there is no guarantee that interference will not occur in a particular installation. If this equipment does cause harmful interference to radio or television reception, which can be determined by turning the equipment off and on, the user is encouraged to try to correct the interference by one or more of the following measures:

- Reorient or relocate the receiving antenna.
- Increase the separation between the equipment and receiver.
- Connect the equipment into an outlet on a circuit different from that to which the receiver is connected.
- Consult the dealer or an experienced radio/TV technician for help.

FCC Radiation Exposure statement:

This equipment complies with FCC radiation exposure limits set forth for an uncontrolled environment.

This equipment should be installed and operated with minimum distance of 20 cm between the radiator and your body.

This transmitter must not be co-located or operating in conjunction with any other antenna or transmitter.

ISED Notice

This device contains licence-exempt transmitter(s)/receiver(s) that comply with Innovation, Science and Economic Development Canada's licence-exempt RSS(s). Operation is subject to the following two conditions:

(1) This device may not cause interference.

(2) This device must accept any interference, including interference that may cause undesired operation of the device.

This Class B digital apparatus complies with Canadian ICES-003(B).

This device complies with RSS-247 of Industry Canada. Operation is subject to the condition that this device does not cause harmful interference.

L'émetteur/récepteur exempt de licence contenu dans le présent appareil est conforme aux CNR d'Innovation, Sciences et Développement économique Canada applicables aux appareils radio exempts de licence. L'exploitation est autorisée aux deux conditions suivantes :

(1) L'appareil ne doit pas produire de brouillage;

(2) L'appareil doit accepter tout brouillage radioélectrique subi, même si le brouillage est susceptible d'en compromettre le fonctionnement.

Cet appareil numérique de la Classe B conforme à la norme NMB-003(B) du Canada.

Cet appareil est conforme à la norme RSS - 247 d'Industrie Canada. Le fonctionnement est soumis à la condition que cet appareil ne provoque pas d'interférences nuisibles.

ISED Radiation Exposure Statement

This equipment complies with ISED radiation exposure limits set forth for an uncontrolled environment.

This equipment should be installed and operated with minimum distance of 20 cm between the radiator and your body.

This transmitter must not be co-located or operating in conjunction with any other antenna or transmitter.

Cet équipement est conforme aux limites d'exposition aux rayonnements de la ISED établies pour un environnement non contrôlé.

Cet équipement doit être installé et fonctionner à au moins 20cm de distance d'un radiateur ou de votre corps.

Cet émetteur ne doit pas être co-localisé ou fonctionner en conjonction avec une autre antenne ou un autre émetteur.

SAR Warning

Under normal use of condition, this equipment should be kept a separation distance of at least 20 cm between the antenna and the body of the user.

Dans des conditions normales d'utilisation, cet équipement doit être maintenu à une distance d'au moins 20 cm entre l'antenne et le corps de l'utilisateur.

WEEE Warning



WEEE Disposal and Recycling Information All products bearing this symbol are waste electrical and electronic equipment (WEEE as in directive 2012/19/EU) which should not be mixed with unsorted householdwaste. Instead, you should protect human health and the environment by handingover your waste equipment to a designated collection point for the recycling of waste electricaland electronic equipment, appointed by the government or local authorities. Correct disposaland recycling will help prevent potential negative consequences to the environment and

human health. Please contact the installer or local authorities for more information about the location as well as terms and conditions of such collection points.

EU Declaration of Conformity

Hereby, Shenzhen Sonoff Technologies Co., Ltd declares that the radio equipment type [M5-1C-120W, M5-2C-120W, M5-3C-120W] is in compliance with Directive 2014/53/EU. The full text of the EU declaration of conformity is available at the following internet address:

<https://sonoff.tech/compliance/>

Scatola	Scatola	Manuale	Borsa	Borsa
PAP 20	PAP 21	PAP 22	CPE 7	LDPE 4
Carta	Carta	Carta	Plastica	Plastica
RACCOLTA DIFFERENZIATA				
Verifica le disposizioni del tuo Comune. Separa le componenti e conferiscile in modo corretto.				



Manufacturer: Shenzhen Sonoff Technologies Co., Ltd.

Address: 3F & 6F, Bldg A, No. 663, Bulong Rd, Shenzhen, Guangdong, China

ZIP code: 518000

Service email: support@itead.cc

Website: sonoff.tech

Made in China

ITEAU



- 黎业军(2602432)



FR
Cet appareil et ses accessoires se recyclent

À DÉPOSER EN MAGASIN

À DÉPOSER EN DÉCHÈTERIE

OU

Points de collecte sur www.quefairedemesdechets.fr
 Privilégiez la réparation ou le don de votre appareil !

ITEAU - 黎

ITEAU - 黎业军(2602432)